

Simon XTi Designer Template Installation Sheet

Introduction

The designer template is the adhesive-backed plastic template that covers the front of the Simon XTi panel.

Caution: The authorized designer template and its installation are integral parts to the reliability of the system. Replacement of the authorized designer template should be done by the security system installer.

Installation

Removing the designer template

1. Remove all power (both battery and AC). Use proper ESD protection practices when replacing the designer template.
2. Remove trim ring from the panel by lifting at notch (**D** in Figure 2 below).
3. Lift a corner of the template and peel back until it is removed from the front of the panel.

Installing the designer template

Figure 1: Designer template front

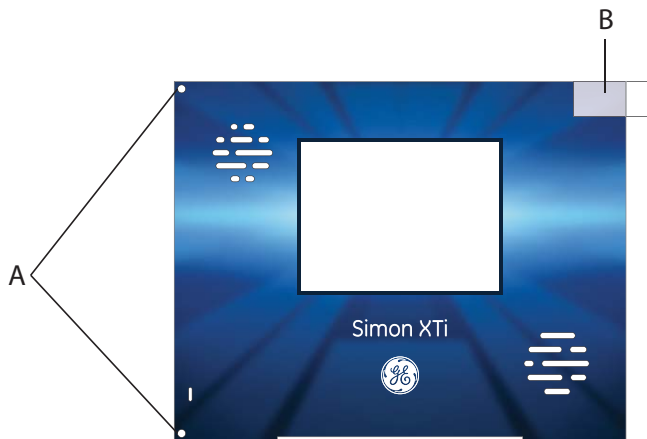
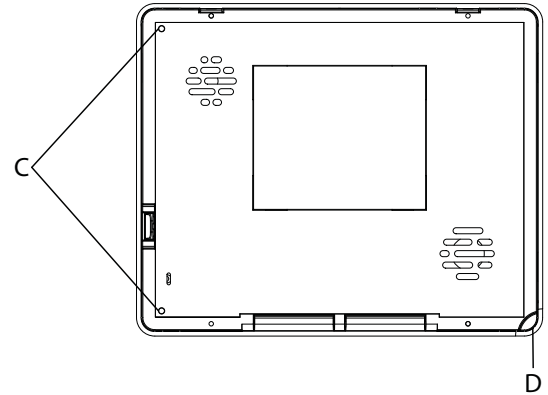
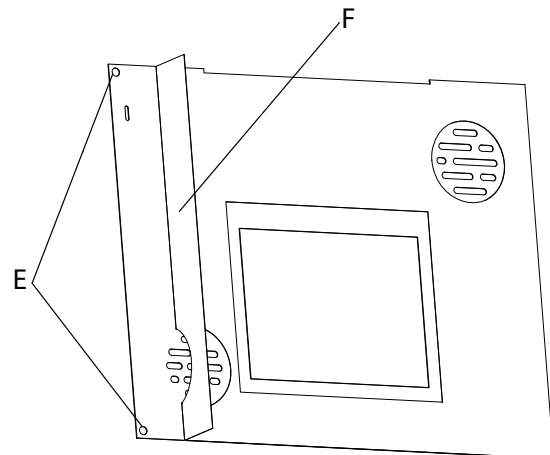


Figure 2: Panel cover



1. Before installing a designer template, ensure that both the display screen and cover surface are free of any lint. Wipe the surface down with a lint-free cloth.
2. Turn over the template to the back side (paper-backed adhesive side).
3. Position the template so the two alignment holes (**A** in Figure 1 above) are vertically located on your left side.
4. Starting at one of the left hand corners, partially peel back the paper backing about 2 -3 inches to the right (**F** in Figure 3 below) exposing both of the two alignment holes (**E** in Figure 3 below). Crease and flatten the partially removed paper backing against the back of the template.

Figure 3: Designer template back



5. Turn over the template to the front (cosmetic) side.
6. Position the two alignment holes in the template (**A** in Figure 1 on page 1) over the two pins (**C** in Figure 2 on page 1) located on the cover of the panel.
7. Lightly press down on the left side of the template. Once located, reach under the template and remove the remainder of the paper backing (**F** in Figure 3 on page 1).
8. Press down with your thumb on the template from left to right, removing any air bubbles and ensuring proper adhesion.
9. After the template is adhered to the front of the panel, remove protective film from front of template by pulling on tab (**B** in Figure 1 on page 1) in upper right hand corner.
10. Replace the plastic trim ring on panel.

Contact information

www.utcfireandsecurity.com or www.interlogix.com

For customer support, see www.interlogix.com/customer-support

GE and the GE monogram are trademarks of the General Electric Company and are under license to UTC Fire & Security, 9 Farm Springs Road, Farmington, CT 06034-4065

Copyright © 2012 UTC Fire & Security. All rights reserved.